

Rural electrification based on renewable energy: the excellence of mini-grids!

**SEINE
TECH**



Integral Solutions

There are still significant populations in remote areas where the grid has not reached, and where decentralized options are attractive. Combined with cost decreases and improvements in the reliability of the technology, renewable energy forms such as solar PV, are becoming increasingly relevant to fill the gap in electricity supply to areas that are not yet connected to main grids.

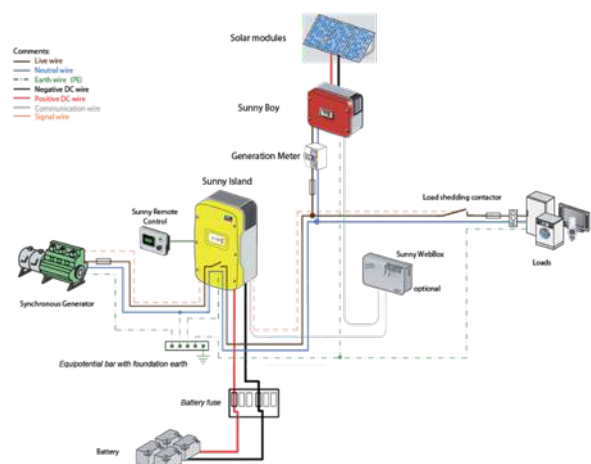
SEINE TECH Partners

Since 2009, we have been designing, supplying, installing and commissioning solar PV systems for rural electrification in remote off-grid areas. From small scale sets requiring domestic usages, to large systems with high voltage distribution lines. Reliable engineering.

GO SOLAR!

www.seinetech.com or say hi at seine@seinetech.com

Seine Tech SL. C/Alemania 58, 08700 Igualada, Spain. +34 938050311





Use of first quality brand components. Manufacturer's warranty



AC voltage available for wide use of applications. single phase or three phase.



Durable components



High voltage lines



For a self-sufficient power supply, an optimum integration of renewable energies and the stabilizing of utility grids.



Off-grid



Precise design



Specific design for every project requirements



100% off-grid, self-consumption or hybrid systems with diesel